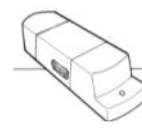
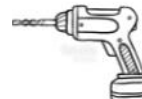
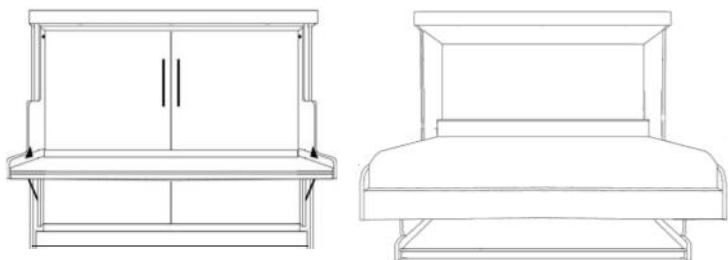


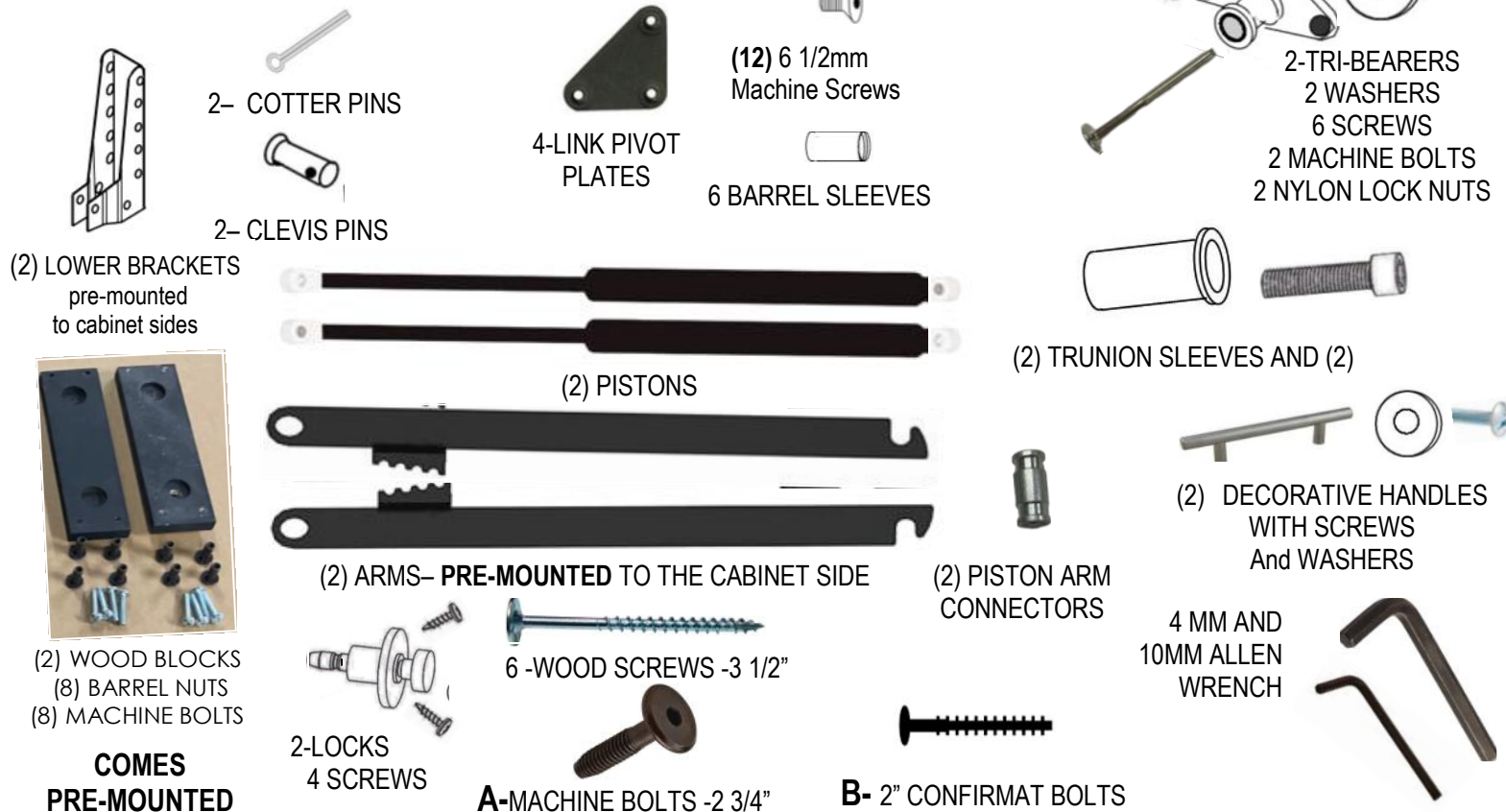
# Model-DB50 EB50 IB50 PB50 RB50 VB50

## OFFICE BED INSTALLATION GUIDE



PHILLIPS SCREWDRIVER CORDLESS DRILL STUD FINDER 6' LADDER  
ITEMS NEEDED TO ASSEMBLE YOUR BED

### HARDWARE (not to scale)

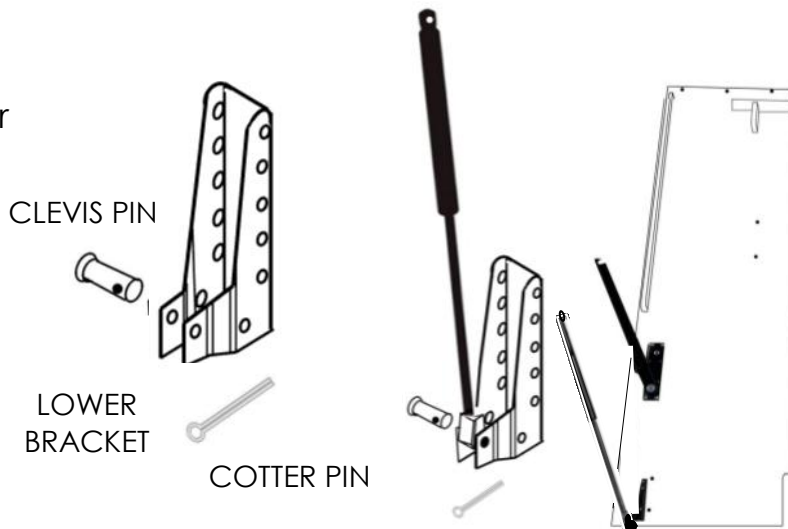


## 1 CABINET ASSEMBLY

The cabinet side comes with the lever arm already attached.

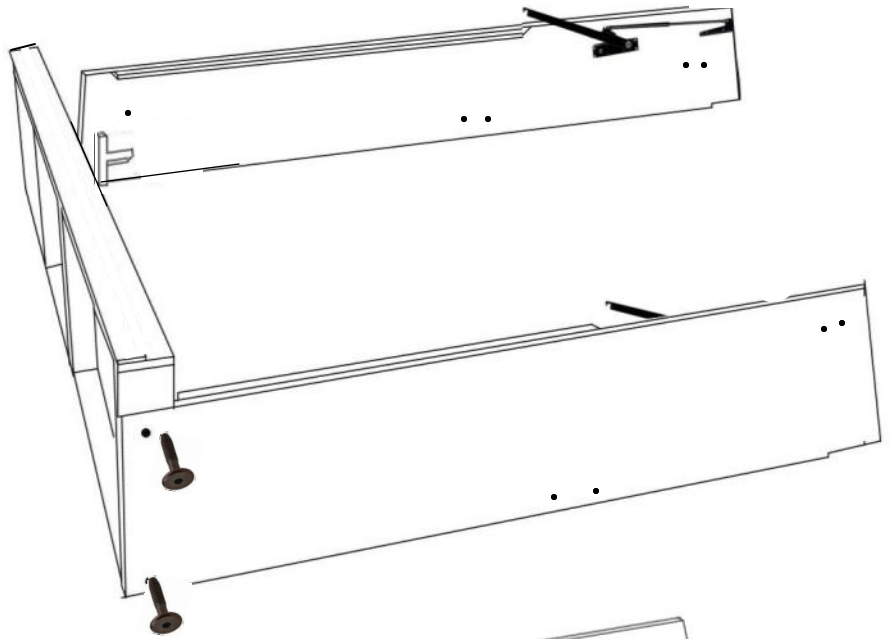
Connect loose end of piston to lower bracket at bottom with Clevis pin and Cotter Pin provided.

Secure the cotter pin by bending ends.

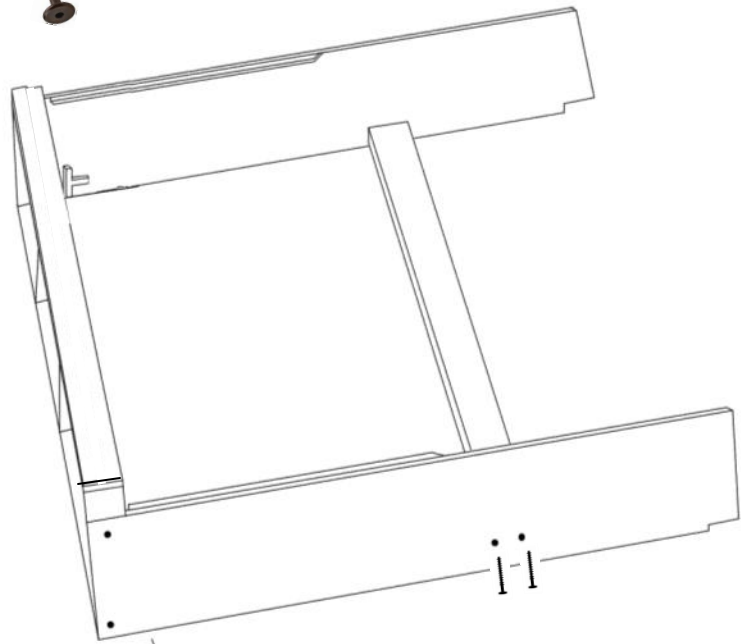


**WARNING!** ALL PISTONS CONTAIN STORED ENERGY. FAILURE TO FOLLOW THESE INSTRUCTIONS COULD RESULT IN DAMAGE TO THE PRODUCT, PERSONAL INJURY OR DEATH.. PLEASE CALL 916-607-7728 WITH ANY QUESTIONS.

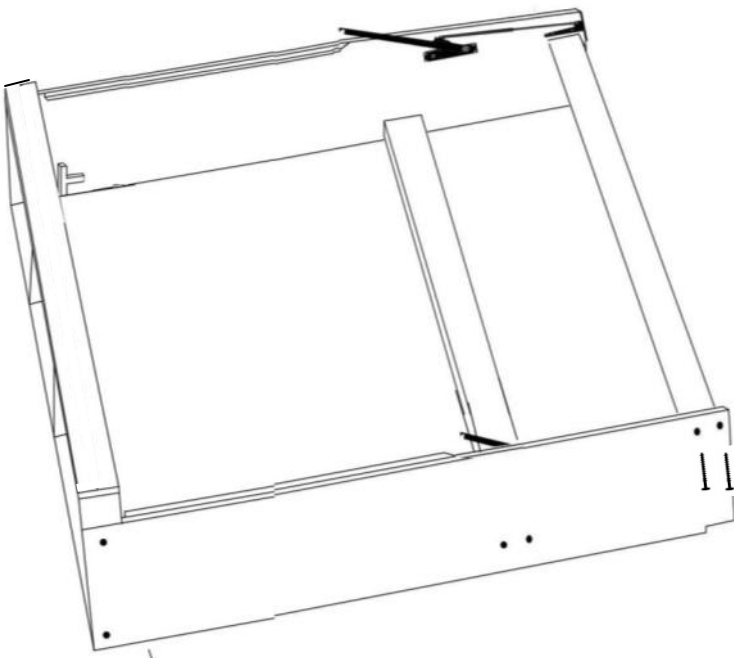
- 2** ATTACH THE TOP TO THE SIDES using the MACHINE bolts **(A)**



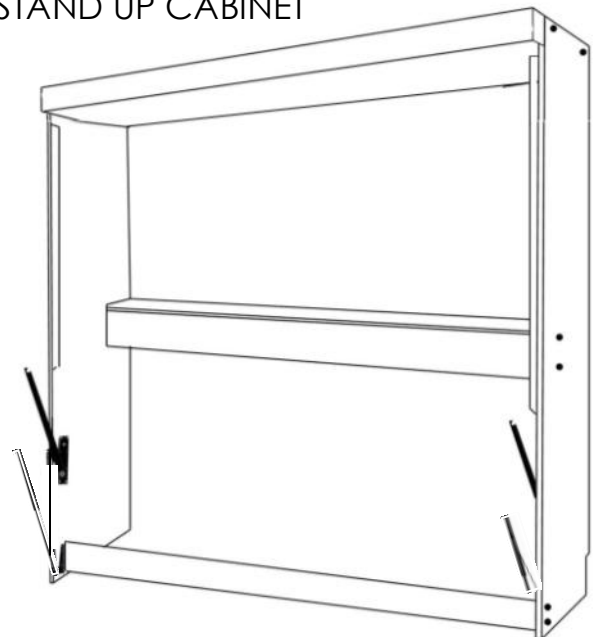
- 3** ATTACH THE SHELF HEADBOARD TO THE SIDES using the CONFIRMAT bolts **(B)**



- 4** ATTACH LOWER STRONGBACK  
Insert lower strongback between the cabinet sides and attach with confirmat bolts **(B)** keeping finished edges to front.



- 5** STAND UP CABINET

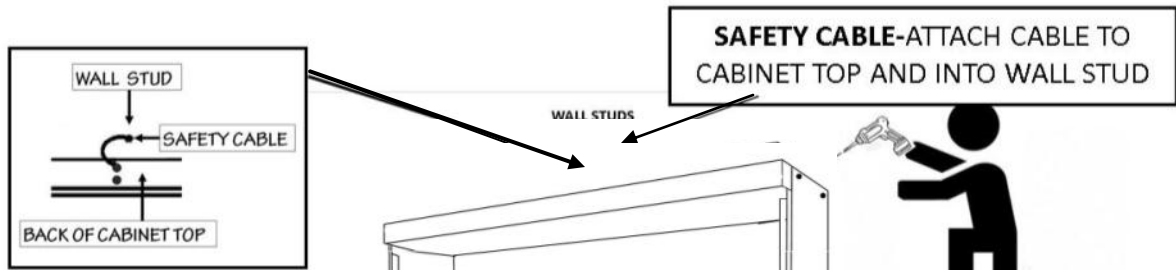


**6**

**ATTACH CABINET TO WALL** Be sure that the cabinet is perfectly square on the wall. Use the (6) 3/12" wood screws to attach the cabinet into 3 wood studs in the wall through the back of the top.



6 -WOOD SCREWS -3 1/2"



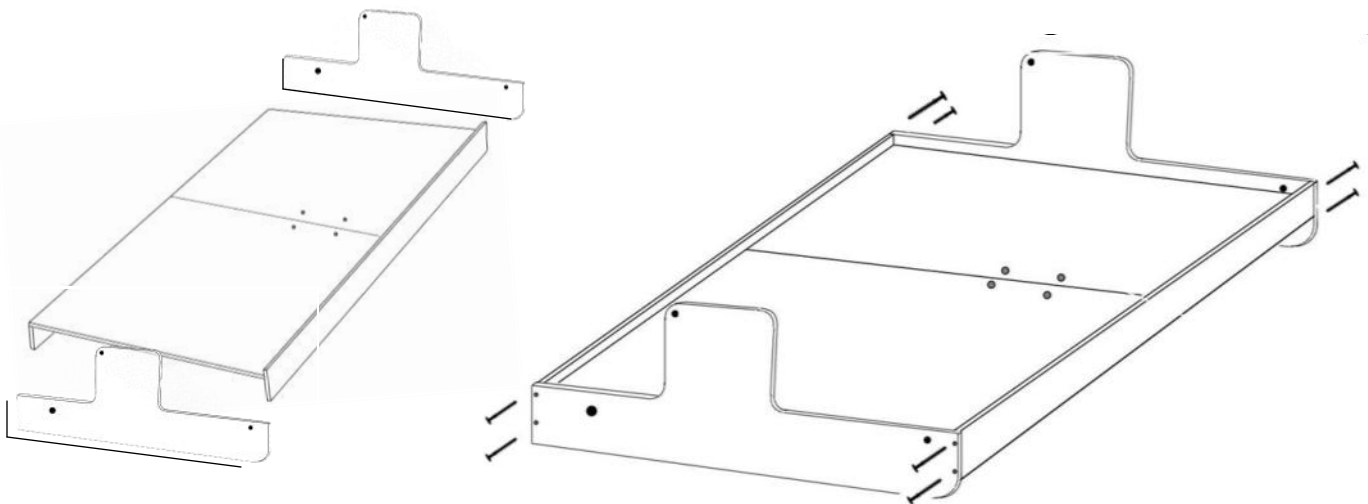
**INSTALL THE SAFETY CABLE**

ATTACH ONE END OF THE SAFETY CABLE TO THE CABINET BACK RAIL WITH THE 3/4" SCREW PROVIDED. LEAVING ABOUT A 3" LOOP IN THE CABLE ATTACH THE WOOD SCREW INTO THE CLOSET WALL STUD WITH THE 2" WASHER HEAD SCREW ABOUT 1" HIGHER THAN THE CABINET TOP. THE SCREW WHEN PROPERLY DRIVEN INTO THE WALL STUD SHOULD BE FAIRLY HARD TO DRIVE.

**THE FUNCTION OF THE SAFETY CABLE IS TO MAKE ATTACHMENT FAILURE OF THE BED VISABLE BY ALLOWING THE BED TO COME AWAY FROM THE WALL 2 TO 3 INCHES. WHEN YOU SEE THIS CONDITION DO NOT OPEN THE BED! YOU MUST INVESTIGATE WHAT IS WRONG AND CORRECT IT!**

**7**

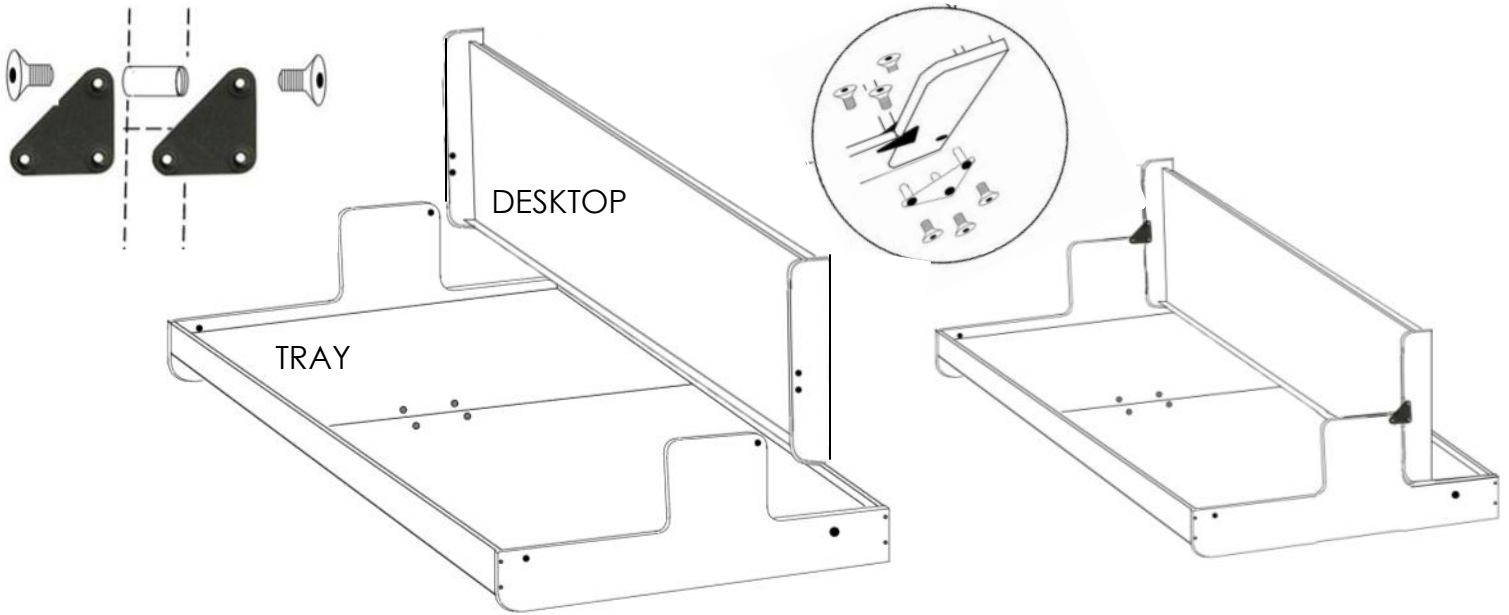
**TRAY ASSEMBLY** Mount tray ends to the mattress tray. The tray ends are left and rights so when installing be sure each tray end is mounted to the tray with confirmat bolts so that the thicker lidded side of the bushing is facing toward the tray and not away. If installed correctly then these will be facing each other.



### ATTACH DESK TO TRAY

8

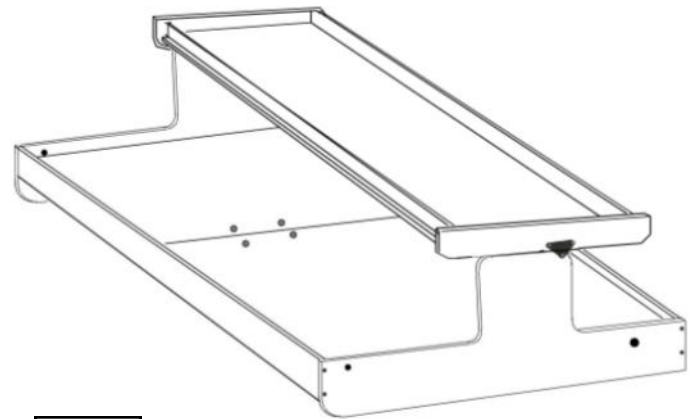
Place desk vertically on the mattress tray and attach with link pivot plates using barrel and 6 1/2mm machine screws to plate. Insert in holes, attach remaining screws, then tighten all.



9

### FOLD DOWN DESK

Fold desk horizontally over the finished bottom of the mattress tray.



10

### Attach bearer assembly

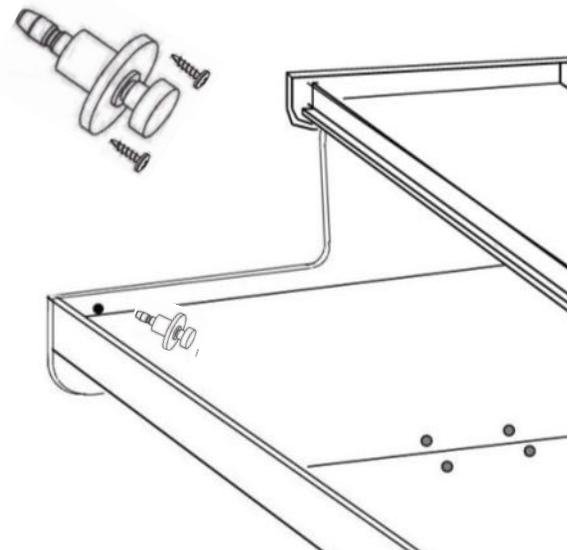
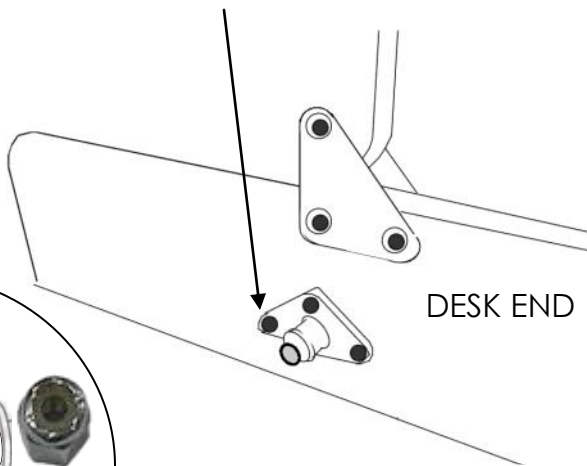
At each desk end, bolt bearer through wood through the washer into the nylon lock nut. Tighten firmly, but leave enough slack to slightly adjust the position later.

**DO NOT APPLY SCREWS  
INTO HOLES ON THE FLANGE NOW**

11

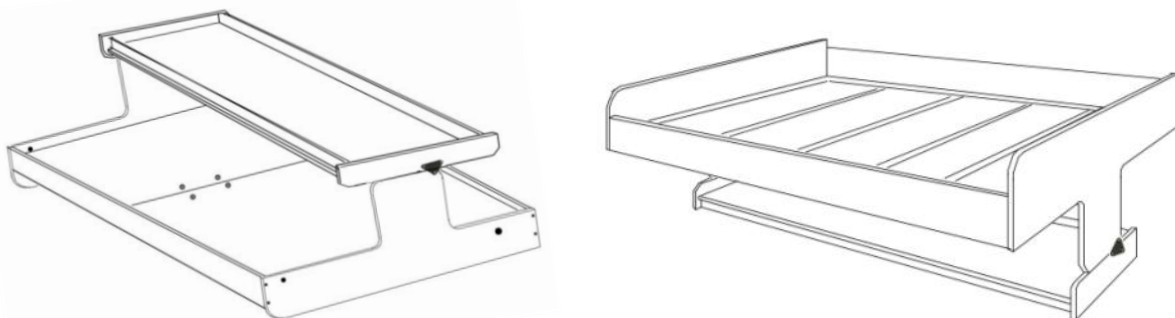
### INSTALL LOCKS

Attach black locking assembly to the inside on the bed end panels in holes provided, using screw. Retract the pins for assembly clearance.

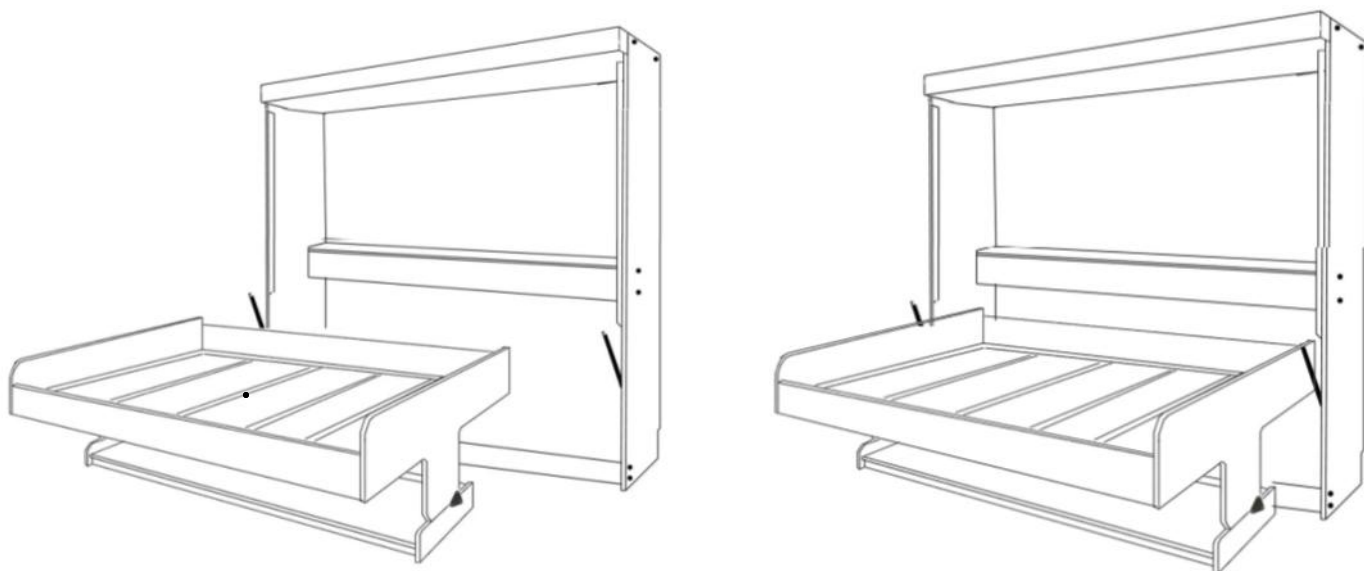




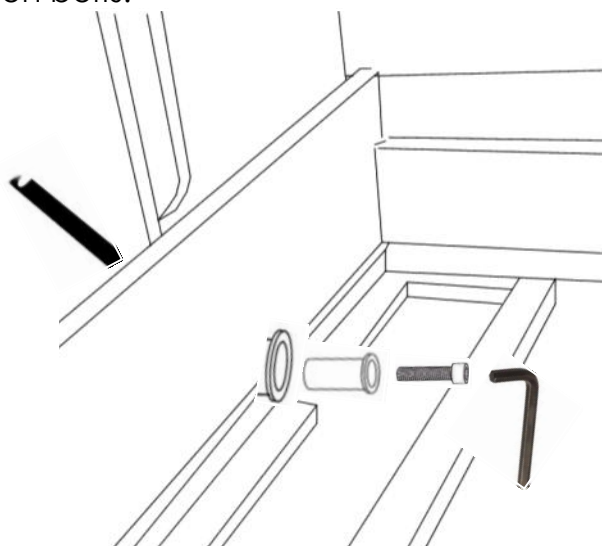
**12 POSITION DESK TRAY-** Roll the entire assembly over so the desk bottom is on the floor and the mattress bed tray is facing up. Desk should be resting on the floor. Finished edge facing into the room.



**13 ATTACHING DESK WITH TRAY INTO CABINET** Slide the DESK/TRAY into the standing cabinet.

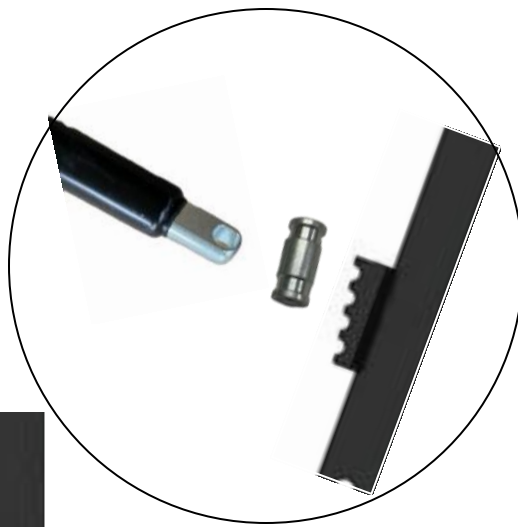
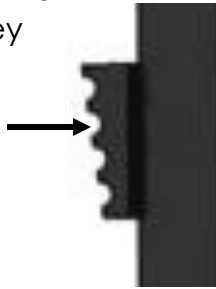


**14 INSERT TRUNION BOLT** Line up the trunion hole in the bed tray with the connecting threaded hole at the upper end of the lever arm bracket mounted to the cabinet side panel. From behind the unit, slide the trunion sleeve and bolt through the hole in the lever arm bracket. Once both trunions are in place, use the 10mm allen wrench to firmly tighten the trunion bolts.



**15****CONNECT THE PISTON TO THE ARM**

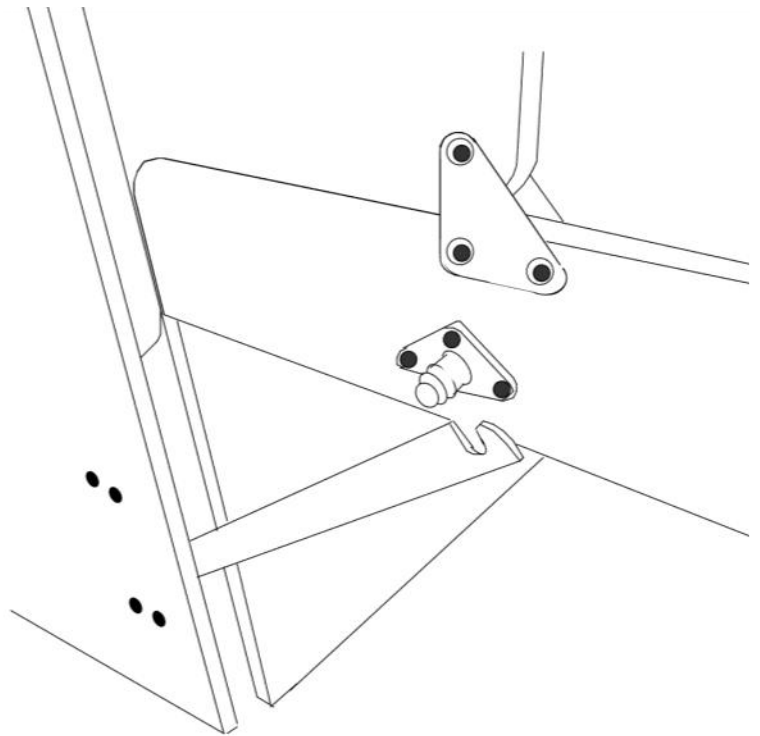
Raise and LOCK the bed in the UP or CLOSED position. . Insert the barrel piston arm connector into the hole at the piston end. Insert the piston into the second valley as shown here.

**16****CONNECT THE ARM TO THE DESK**

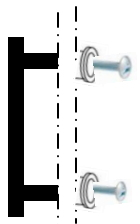
Raise and LOCK the bed in the UP or CLOSED position. Hold the desk wing and pull the lever arm down and around the bearer post, then release to connect gently with the bearer. You will be compressing the piston as you pull the arm down so it will require force.

Verify that the desk is sitting fully up the side panel. If it is not, slightly loosen the bearer bolts allowing it to do so, then retighten securely.

Apply screws to each of the three flange holes of the bearer fittings on each end of the desk. One lever arm at a time may be released for screw access.

**17****ATTACH HANDLES**

In the center of your bed are 4 holes to secure the decorative handles with the screws and washers provided.

**INSTALL THE CARDBOARD LINER**

Inside the mattress cavity are cross ribs that allow air to circulate around your mattress to prevent mold and mildew. Lay the cardboard liner over the ribs and screw in down in place using wood screws.

**18****INSERT MATTRESS**

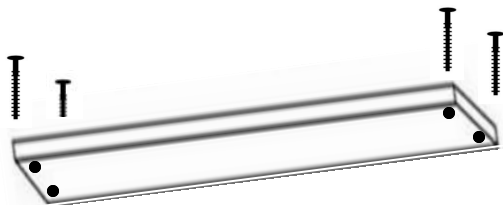
Strap and buckle your mattress into the mattress tray and tuck excess strapping under one side.



19

### ATTACH FINISHED TOP BOARD

Through the top with 4 confirmat bolts (B).



## DESK BED OPERATION

### **BEFORE OPERATING**

BED MUST BE SECURELY ATTACHED INTO 3 WOOD STUDS AT THE TOP AND THE MATTRESS MUST BE SECURELY BUCKLED INTO THE BED TRAY. PILLOWS MUST BE REMOVED.

CLEAR AWAY ITEMS ON THE FLOOR UNDER THE DESKTOP. REMOVE FROM THE DESK ITEMS TALLER THAN 14" ON THE VERTICAL MODEL AND 16" ON THE HORIZONTAL MODEL

### **UNLOCK THE BED**

ON BOTH SIDES OF THE DESK AT THE TOP OF THE DESK ENDS THERE ARE PLUNGER LOCKS. PULL THE LOCKS TO RELEASE THE BED.

### **TO OPEN THE BED**

STANDING IN FRONT OF THE BED, PULL ON THE HANDLE WHILE PUSHING DOWN ON THE DESKTOP. ONCE THE BED STARTS TO OPEN THE PISTONS WILL ASSIST IN LOWERING THE BED.

### **CARE**

To care for your furniture-just wipe with a soft damp cloth and then dry the surface immediately. All wood is susceptible to scratches and dings so use coasters and pads to protect your furniture.

### **DO NOT SIT OR STAND ON DESK DESK DOES NOT FOLD UP**

LIFTING UP THE DESKTOP AND SITTING OR STANDING ON THE DESKTOP WILL BEND THE MECHANISM AND BREAK THE BED. THIS IS NOT COVERED UNDER THE WARRANTY.



### **REMOVE ITEMS UNDER DESKTOP BEFORE YOU LOWER THE BED**

ITEMS UNDER THE DESKTOP WILL BE DAMAGED WHEN YOU LOWER THE BED AND YOU WILL BEND THE MECHANISM MAKING THE BED INOPERABLE. THIS IS NOT COVERED UNDER THE WARRANTY.



### **REMOVE ITEMS OVER 14" FROM DESK**

ITEMS TALLER THAN 14" ON THE VERTICAL MODEL AND 16" ON THE HORIZONTAL MODEL WILL BE DAMAGED WHEN YOU LOWER THE BED. LEAVING TALL ITEMS ON THE DESK CAN BEND THE MECHANISM MAKING THE BED INOPERABLE. NOT COVERED UNDER THE WARRANTY.



**FAILURE TO FOLLOW THESE DIRECTIONS WILL VOID THE WARRANTY**

**WARNING!** ALL PISTONS CONTAIN STORED ENERGY. FAILURE TO FOLLOW THESE INSTRUCTIONS COULD RESULT IN DAMAGE TO THE PRODUCT, PERSONAL INJURY OR DEATH.. PLEASE CALL 916-607-7728 WITH ANY QUESTIONS.